

REVISION RECORD			
LTR	ECO NO:	APPROVED:	DATE:

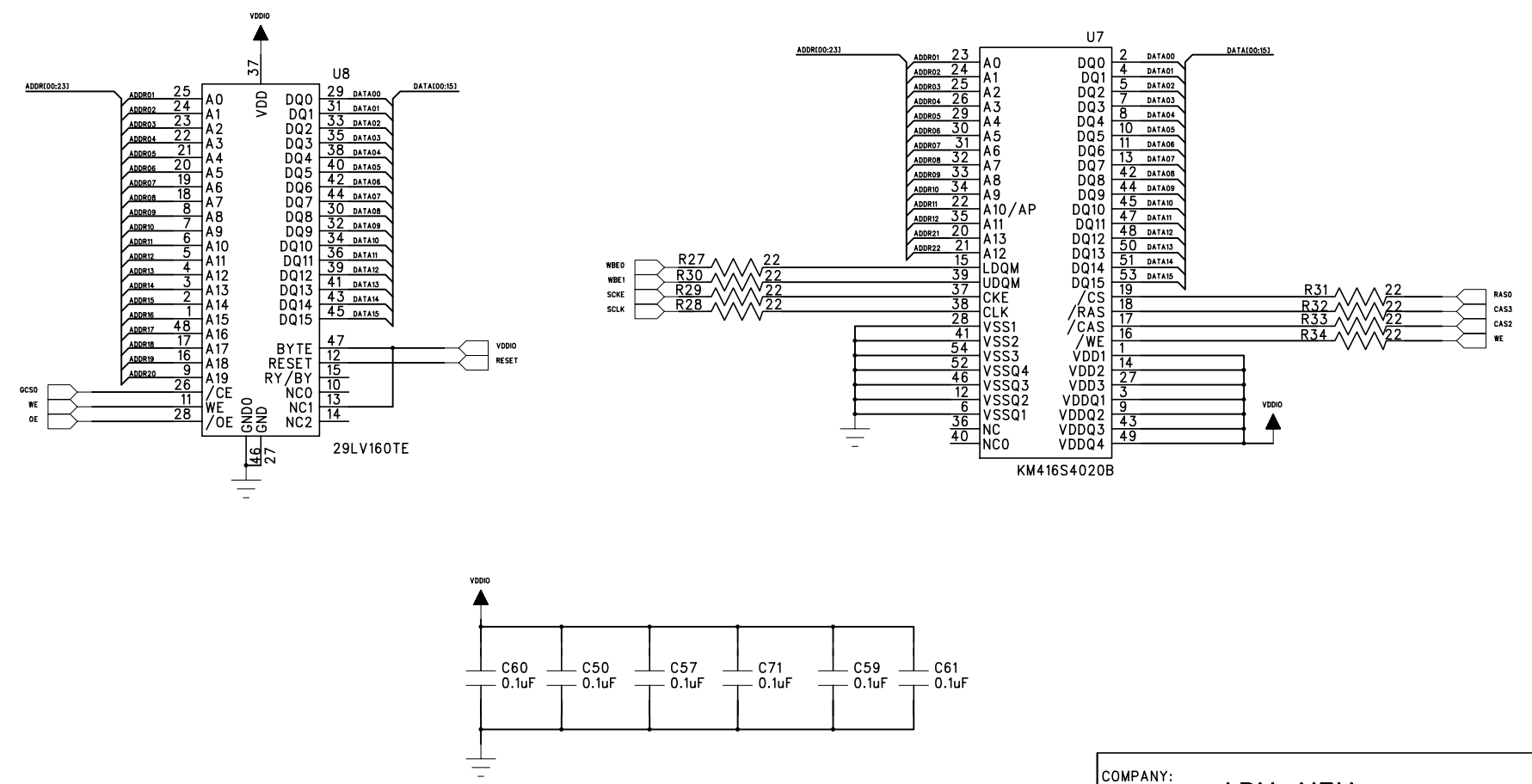
COMPANY: ARM_MCU S3C44BOX			
TITLE: SW44B0			
CODE:	SIZE:	DRAWING NO:	REV: 1.0
SCALE:			SHEET: OF

DRAWN: lu weixi	DATED:
CHECKED:	DATED:
QUALITY CONTROL:	DATED:
RELEASED:	DATED:

6 5 4 3 2 1

D
C
B
A

REVISION RECORD			
LTR	ECO NO:	APPROVED:	DATE:



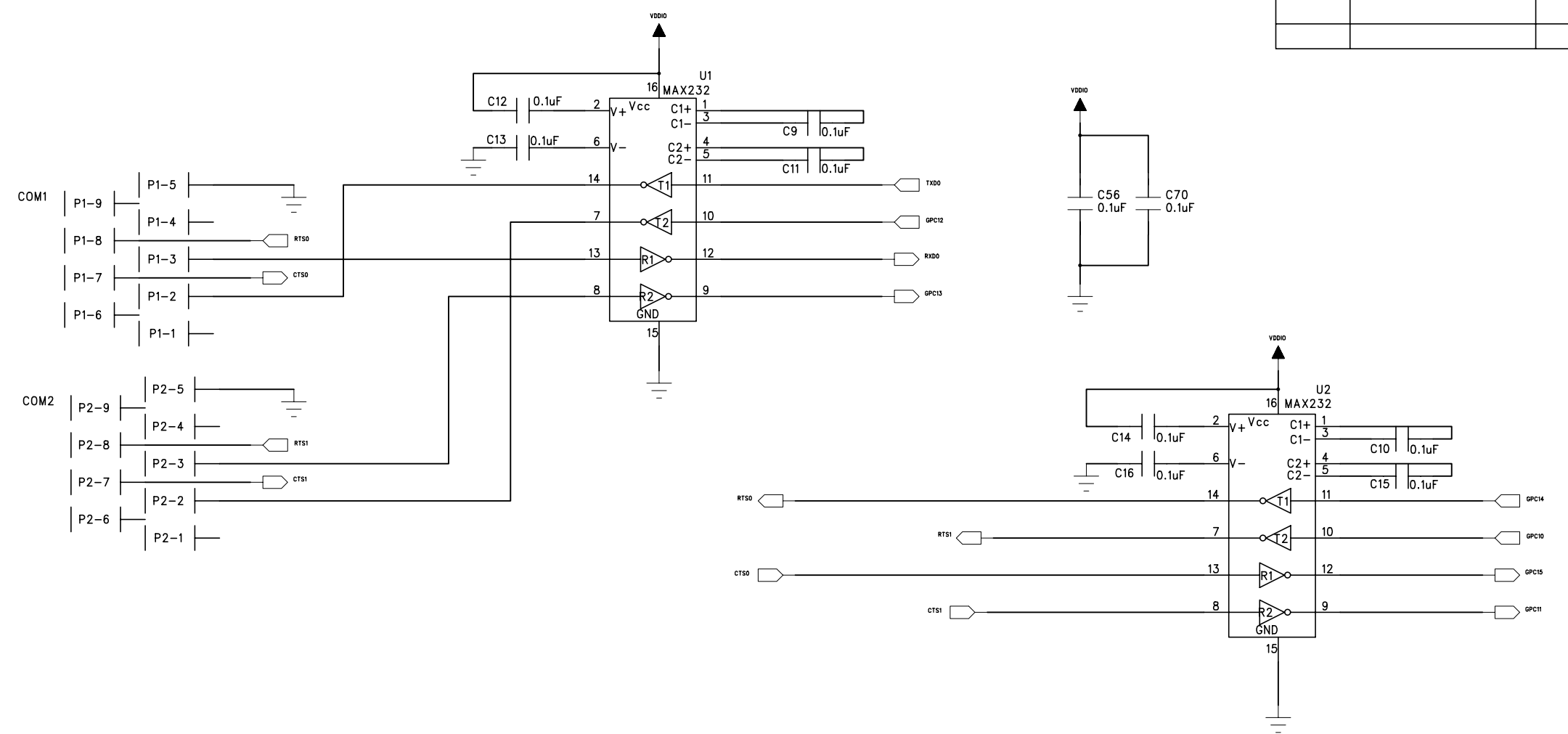
COMPANY: ARM_MEM			
TITLE: SW44B0			
CODE:	SIZE:	DRAWING NO:	REV: 1.0
SCALE:		SHEET: OF	

DRAWN: lu weixi	DATED:
CHECKED:	DATED:
QUALITY CONTROL:	DATED:
RELEASED:	DATED:

6 5 4 3 2 1

REVISION RECORD			
LTR	ECO NO:	APPROVED:	DATE:

D
C
B
A

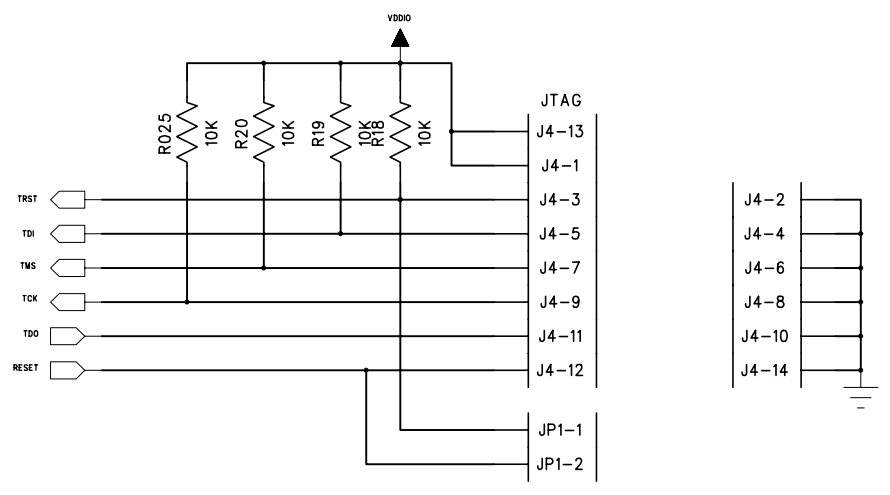
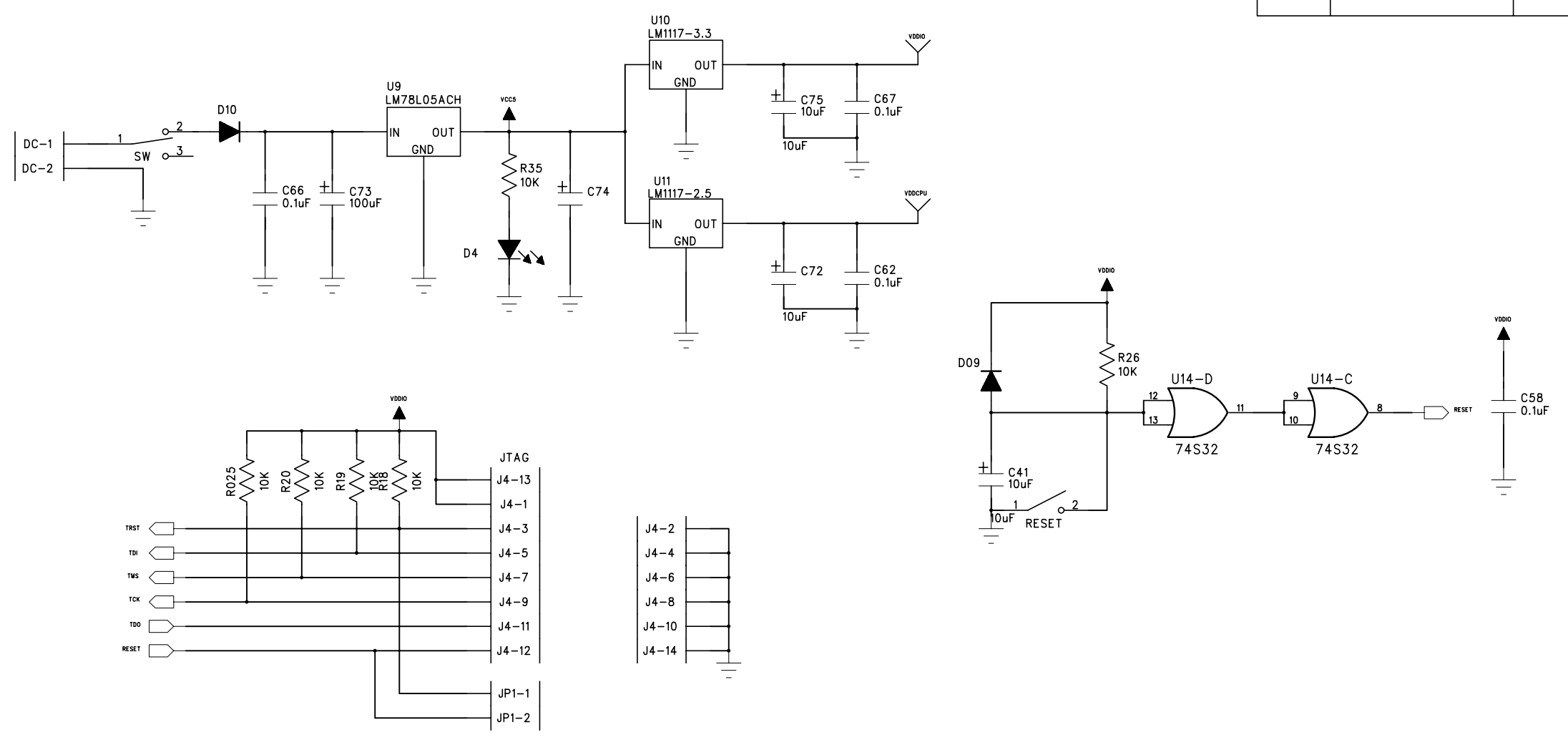


COMPANY: ARM_SERIAL			
TITLE: SW44B0			
CODE:	SIZE:	DRAWING NO:	REV: 1.0
SCALE:		SHEET: OF	

DRAWN: lu weixi	DATED:
CHECKED:	DATED:
QUALITY CONTROL:	DATED:
RELEASED:	DATED:

6 5 4 3 2 1

REVISION RECORD			
LTR	ECO NO:	APPROVED:	DATE:

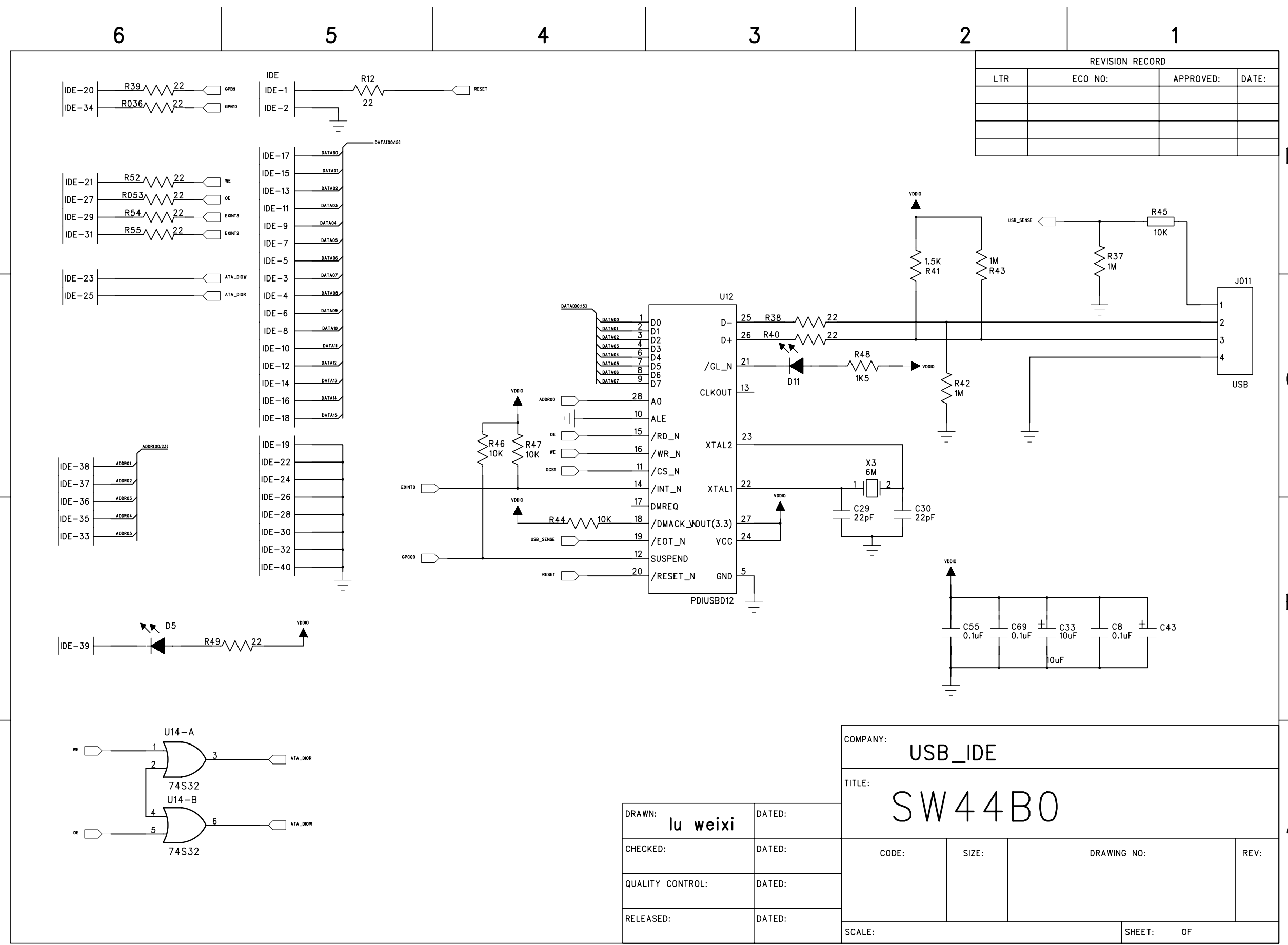


D
C
B
A

D
C
B
A

COMPANY: ARM_FACE			
TITLE: SW44B0			
CODE:	SIZE:	DRAWING NO:	REV: 1.0
SCALE:		SHEET: OF	

DRAWN: lu weixi	DATED:
CHECKED:	DATED:
QUALITY CONTROL:	DATED:
RELEASED:	DATED:



COMPANY: USB_IDE			
TITLE: SW44B0			
CODE:	SIZE:	DRAWING NO:	REV:
SCALE:			SHEET: OF

DRAWN: lu weixi	DATED:
CHECKED:	DATED:
QUALITY CONTROL:	DATED:
RELEASED:	DATED:

D

C

B

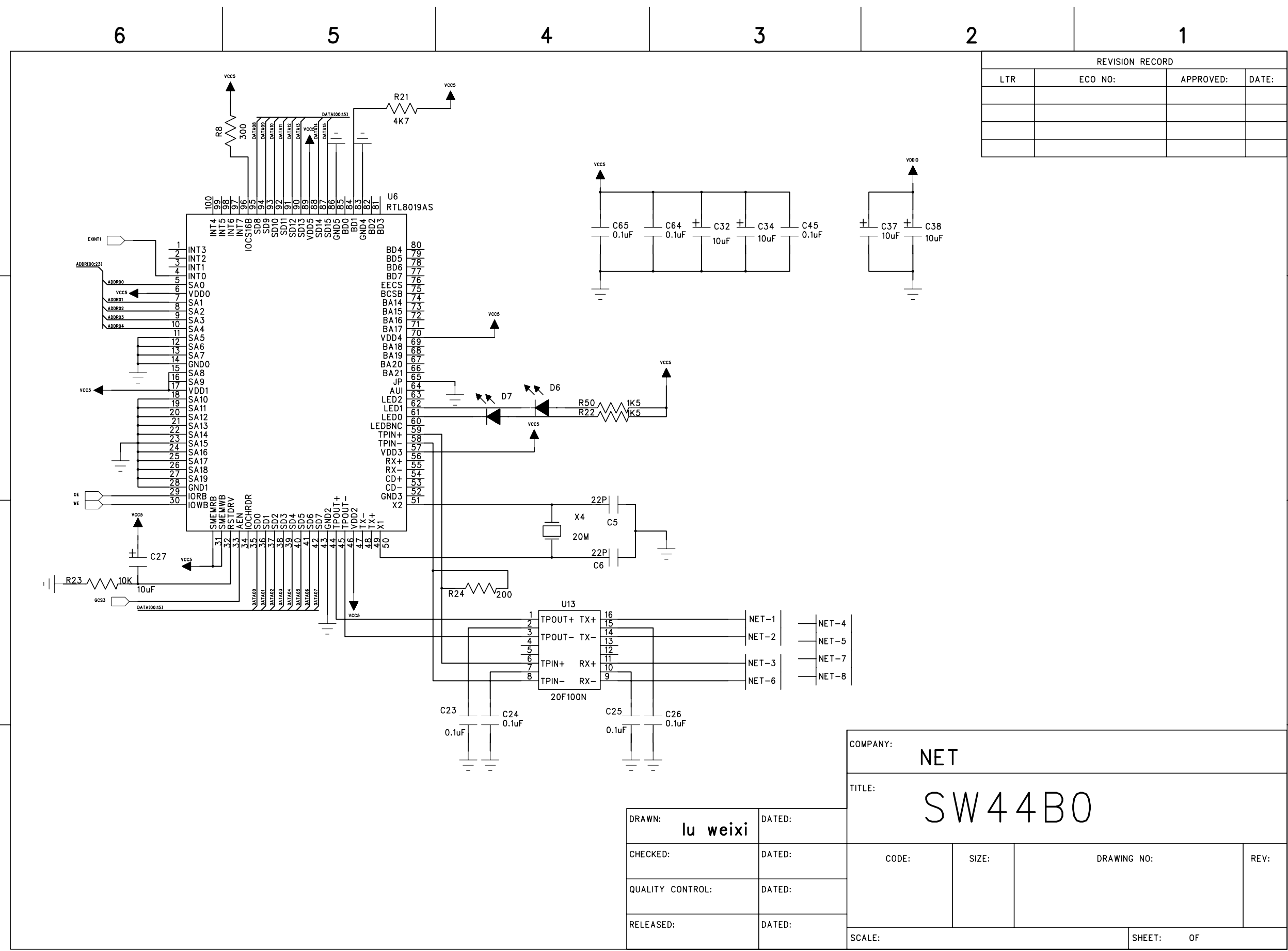
A

D

C

B

A



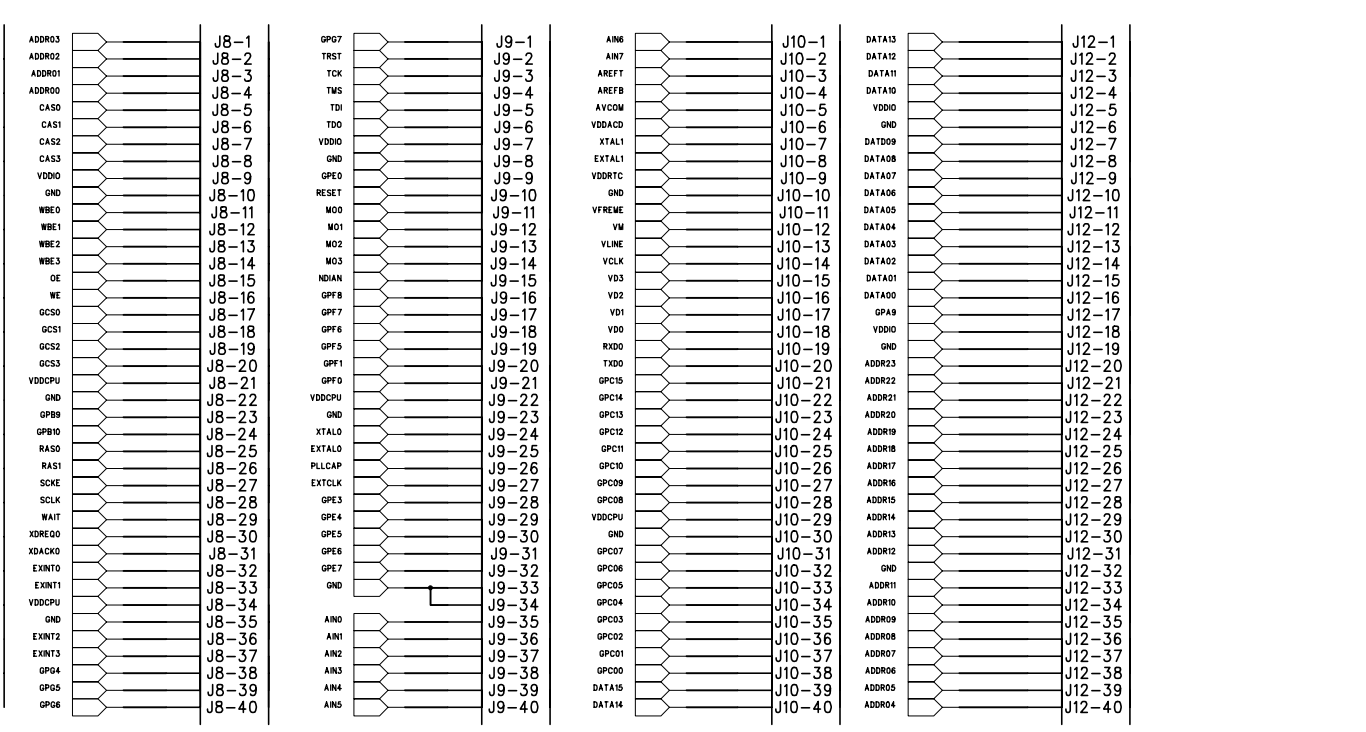
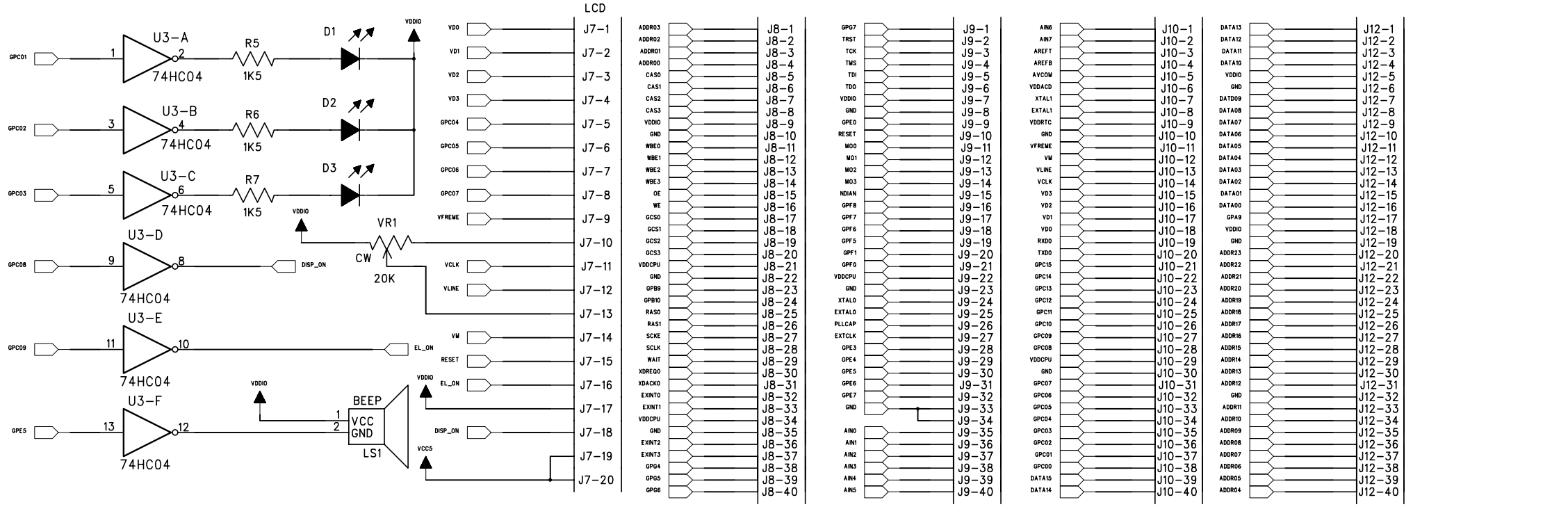
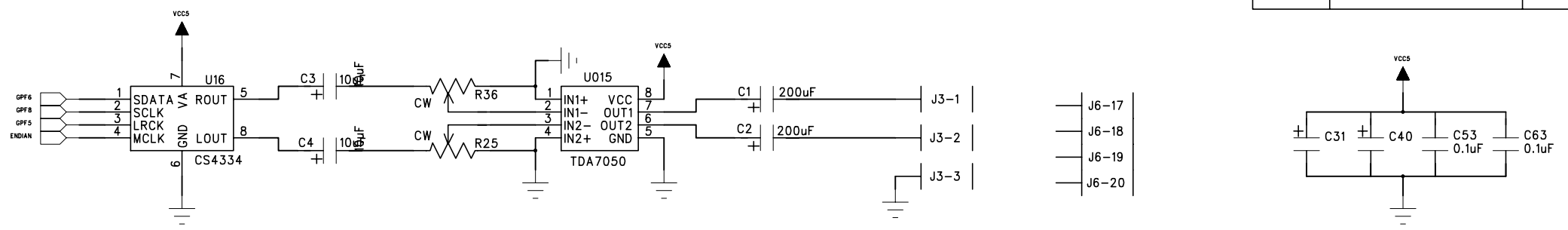
REVISION RECORD			
LTR	ECO NO:	APPROVED:	DATE:

COMPANY: NET			
TITLE: SW44B0			
CODE:	SIZE:	DRAWING NO:	REV:
SCALE:		SHEET: OF	

DRAWN: lu weixi	DATED:
CHECKED:	DATED:
QUALITY CONTROL:	DATED:
RELEASED:	DATED:

6 5 4 3 2 1

REVISION RECORD			
LTR	ECO NO:	APPROVED:	DATE:



COMPANY: ADIO_EXTERN			
TITLE: SW44B0			
CODE:	SIZE:	DRAWING NO:	REV:
SCALE:		SHEET: OF	

DRAWN: lu weixi	DATED:
CHECKED:	DATED:
QUALITY CONTROL:	DATED:
RELEASED:	DATED:

D
C
B
A

D
C
B
A