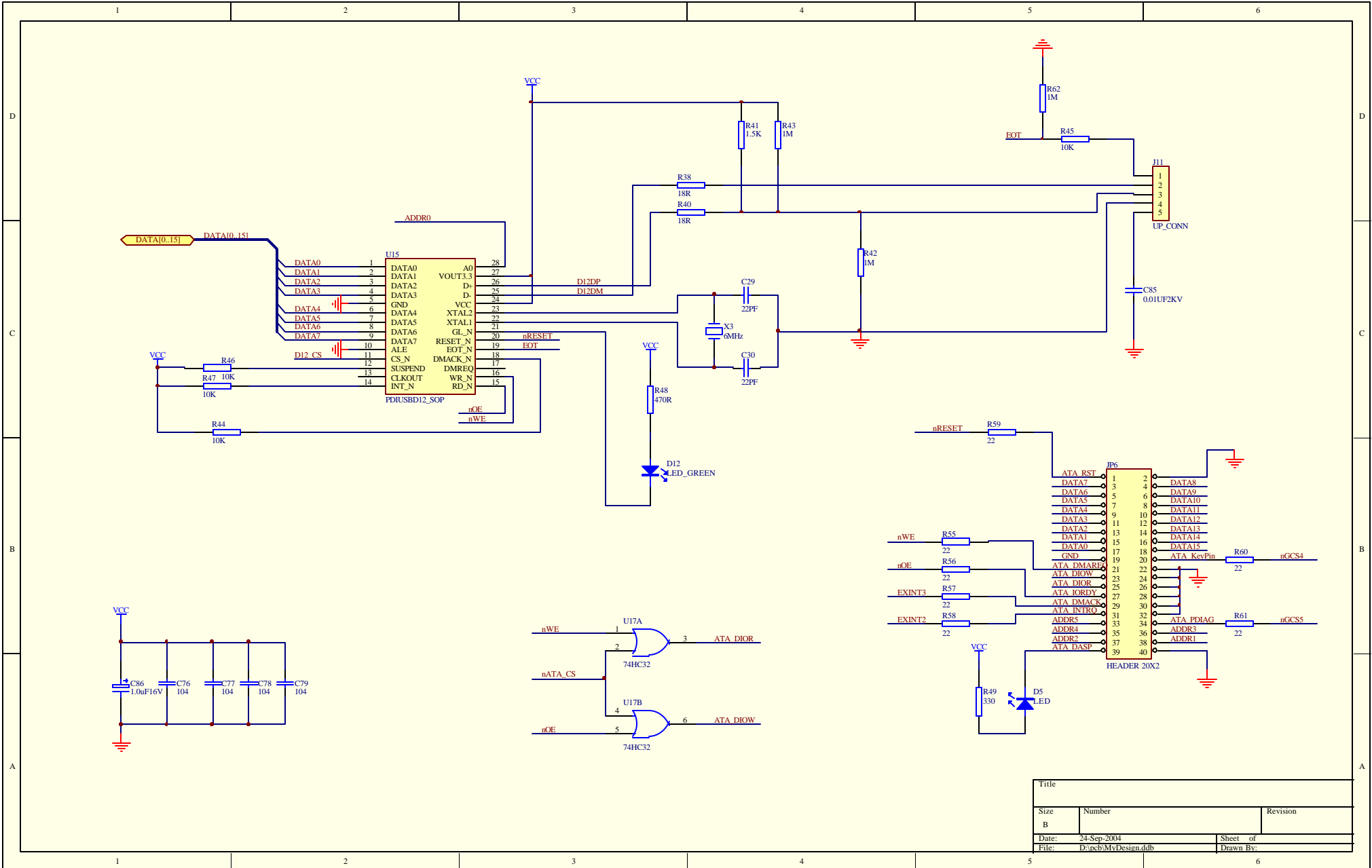
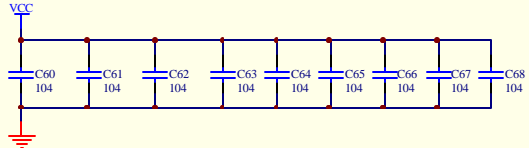
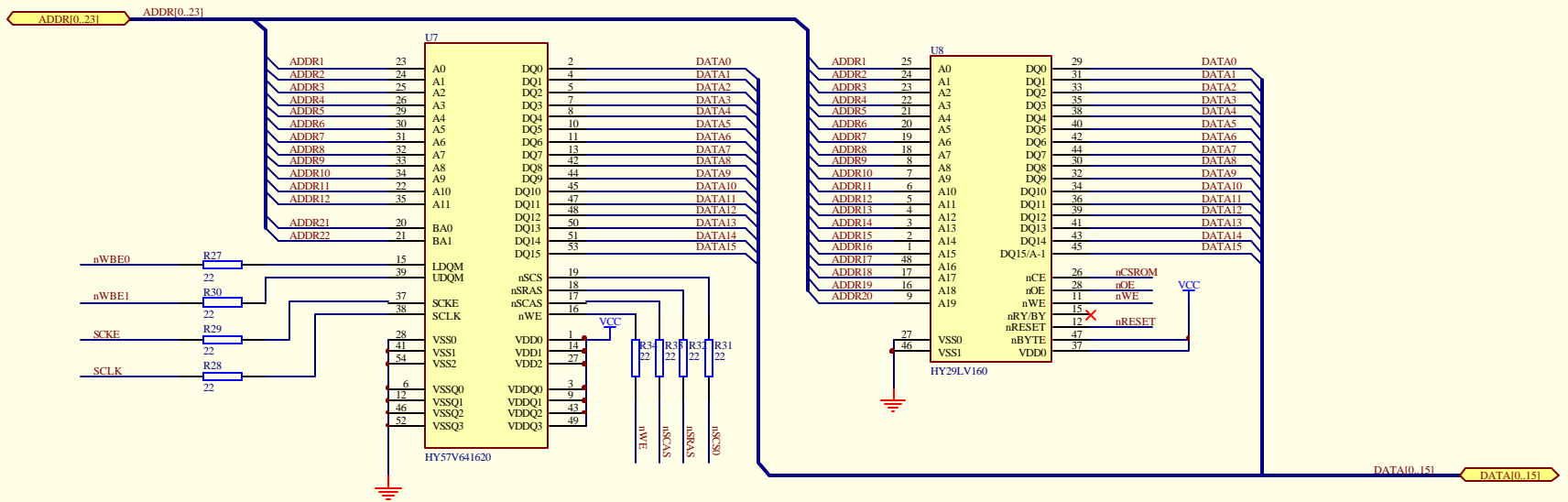


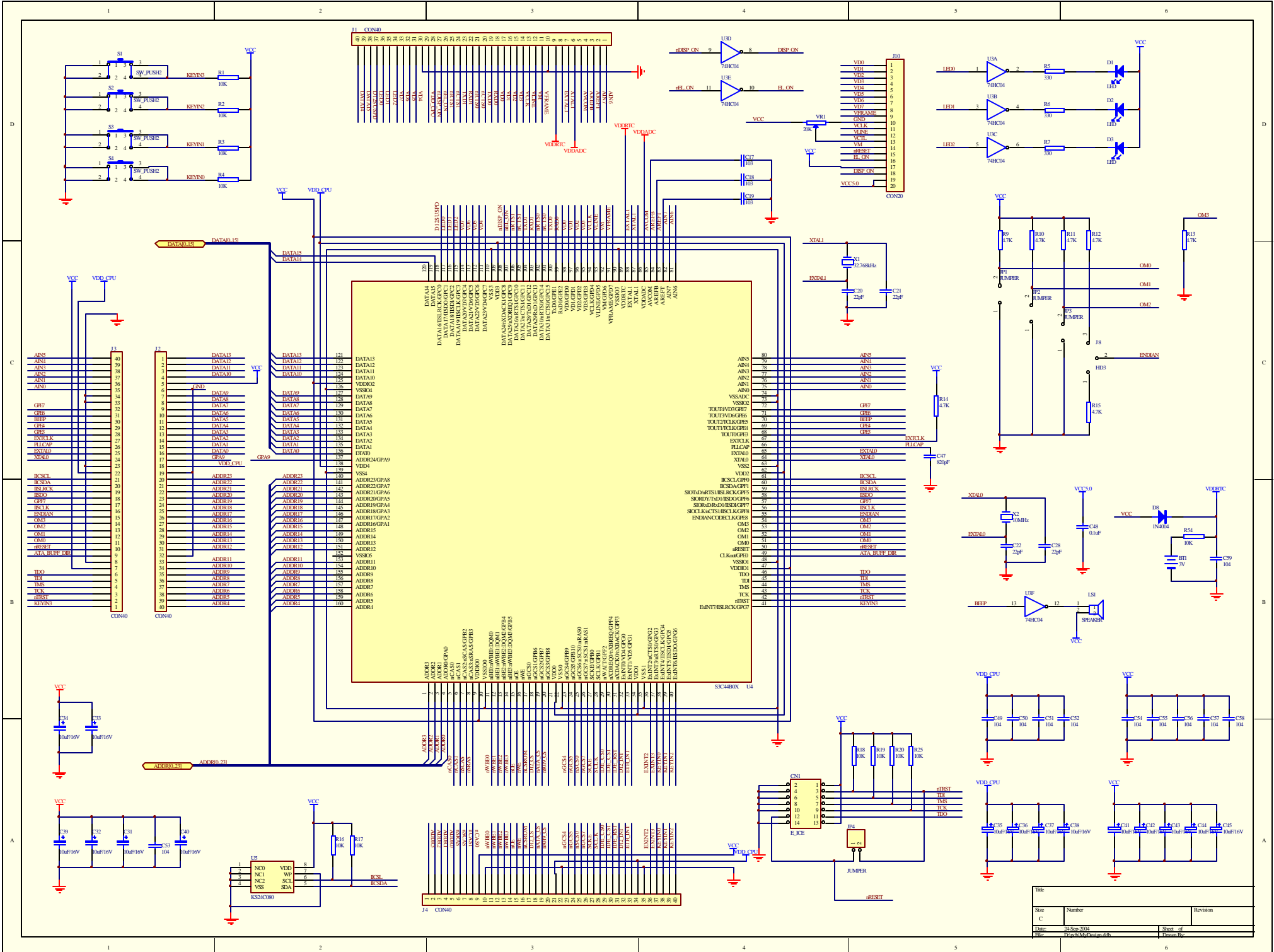
Title		
Size	Number	Revision
B		
Date:	24-Sep-2004	Sheet of
File:	D:\pcb\MyDesign.ddb	Drawn By:



Title		
Size	Number	Revision
B		
Date:	24-Sep-2004	Sheet of
File:	D:\pcb\MyDesign.ddb	Drawn By:

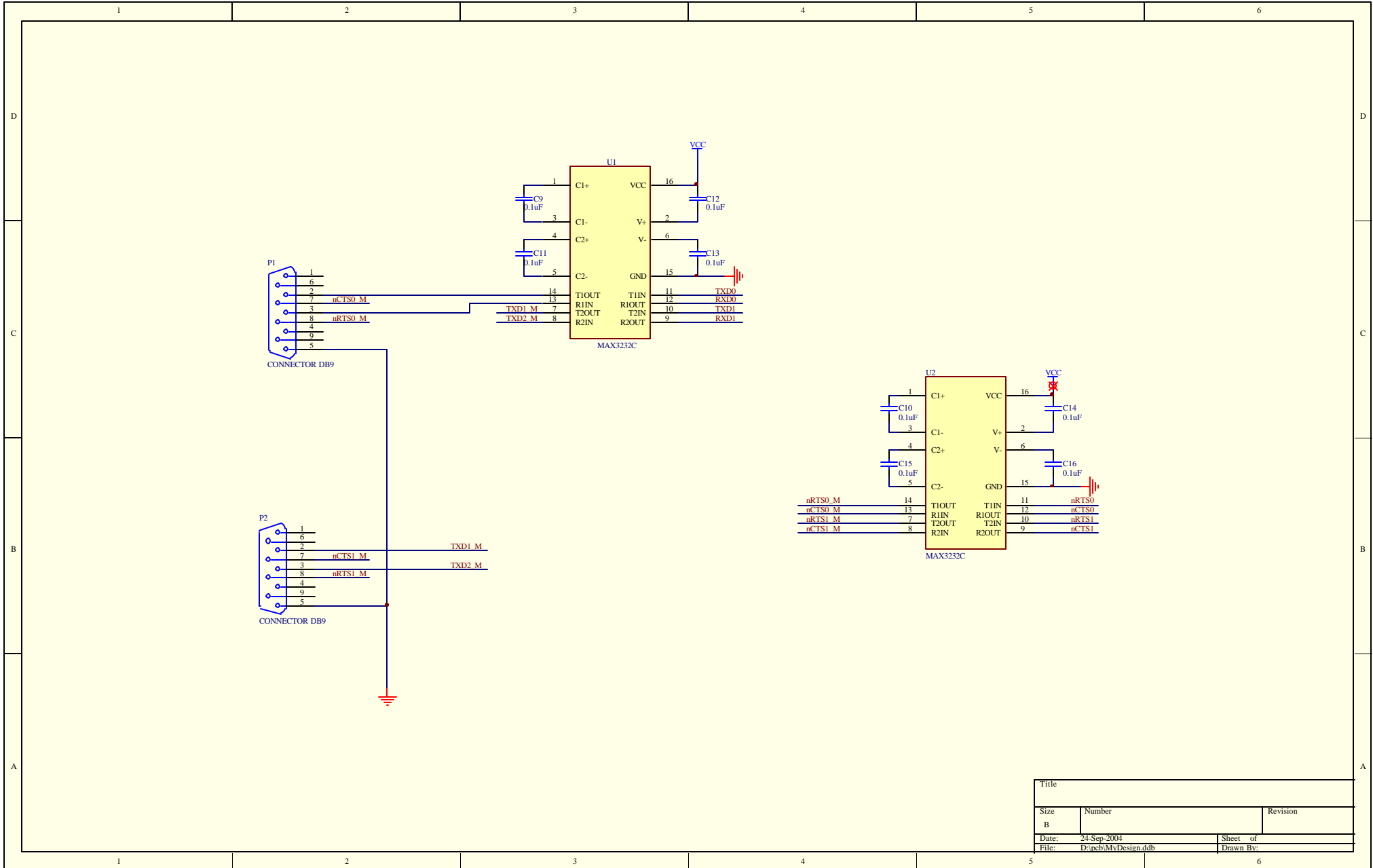


Title		
Size	Number	Revision
B		
Date:	24-Sep-2004	Sheet of
File:	D:\pcb\MyDesign.ddb	Drawn By:

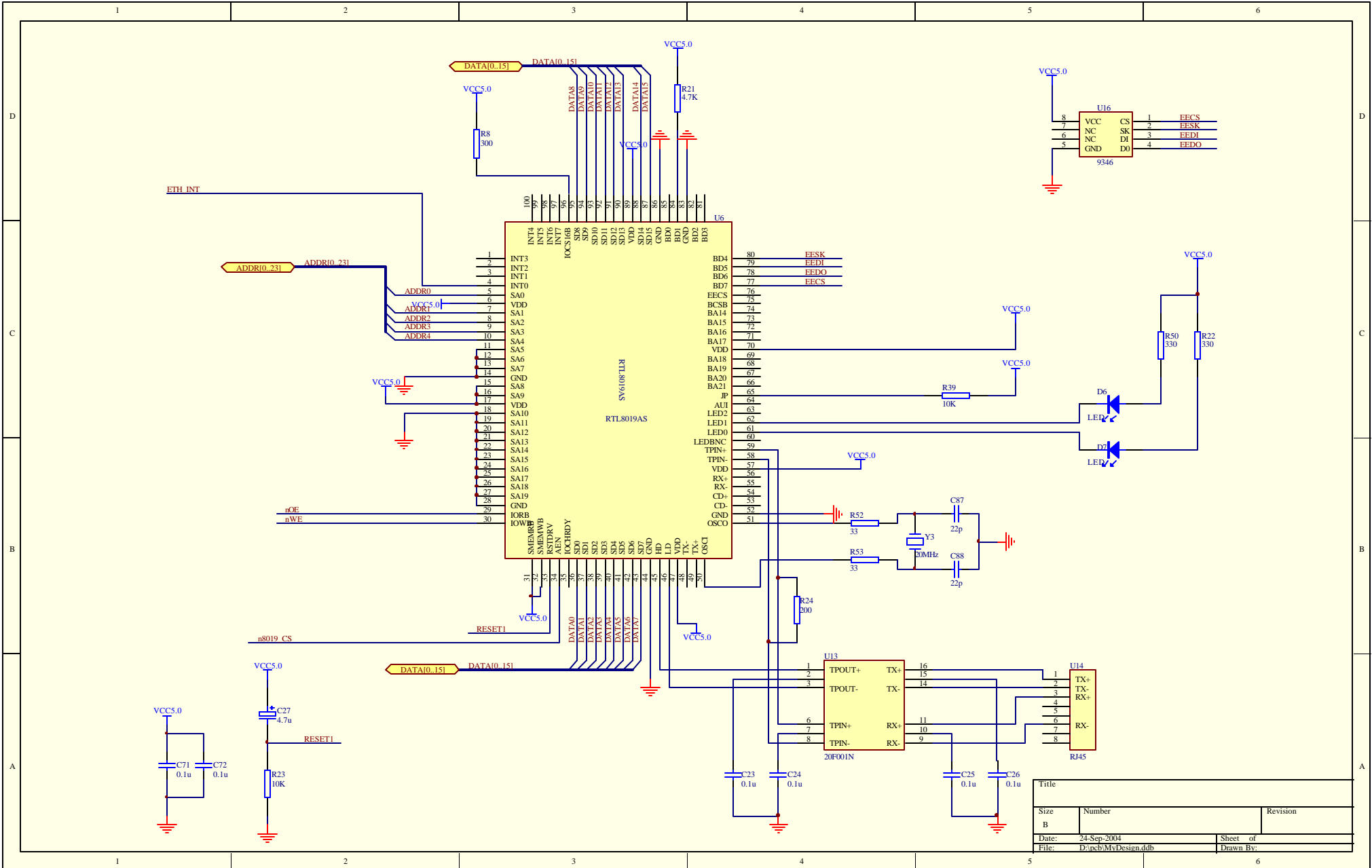


Title:		
Size	Number	Revision
C		
Date:	23-Sep-2014	Show of
Drawn:	Tran-Vinh-Dinh@tdk.com.vn	

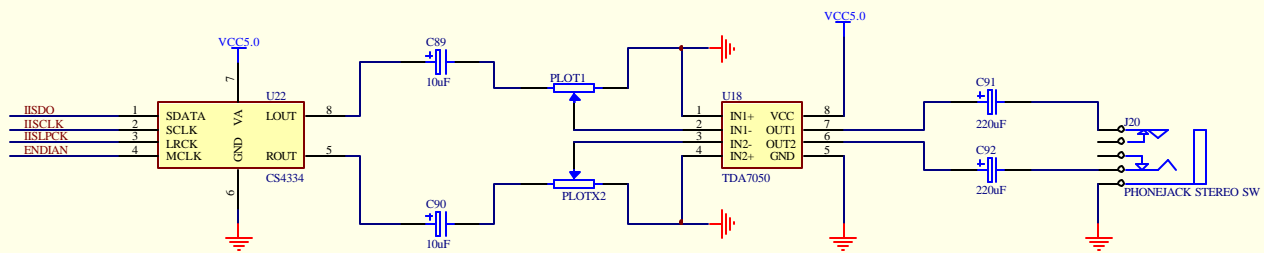




Title		
Size	Number	Revision
B		
Date:	24-Sep-2004	Sheet of
File:	D:\pcb\MyDesign.ddb	Drawn By:



Title		
Size	Number	Revision
B		
Date:	24-Sep-2004	Sheet of
File:	D:\pcb\MyDesign.ddb	Drawn By:



Title		
Size	Number	Revision
B		
Date:	24-Sep-2004	Sheet of
File:	D:\pcb\MyDesign.ddb	Drawn By: